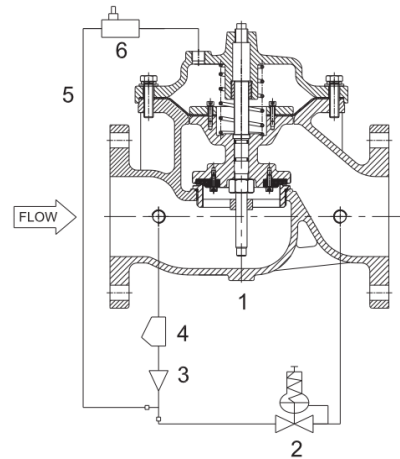
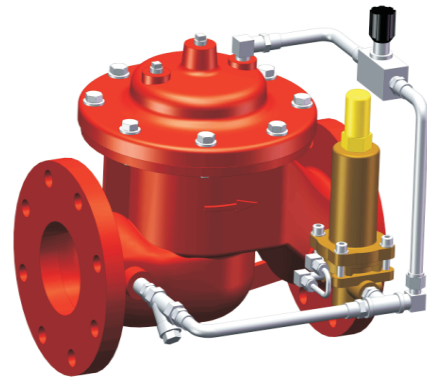


PRESSURE REDUCING VALVE

MODEL: SD-PRV-200W, SD-PRV-250W & SD-PRV-300W



- Reduces a higher inlet pressure to a lower outlet pressure.
- Constant outlet pressure over wide flow range
- Pilot operated main valve not subject to pressure fall off.
- Outlet pressure is adjustable with single screw.
- Adjustable opening / response speed
- Stabilized regulation at near-zero flow
- Flanged ends to ANSI B16.1 Class 125 (Others are available upon request.
- Grooved ends to AWWA C606
- Paint: Enamel paint or Fusion bonded epoxy coated interior and exterior to AWWA C550 standard



WORKING PRESSURE

- Upstream pressure: Max: 300 Psi, 175 Psi
- Downstream pressure: 15psi - 60psi, 35psi-85psi, 65psi-165psi

MATERIAL SPECIFICATION

No.	Part Name	Material
1	Body	Ductile Iron
2	Bonnet	Ductile Iron
3	Seat	SS304
4	Stem	SS304
5	Spring	SS304
6	Diaphragm	EPDM
7	Seat Disc	EPDM
8	Reducing Pilot	Bronze

No.	Part Name	No.	Part Name
1	Basic Control Valve	4	Y-Strainer
2	Pressure Reducing Pilot	5	Tubing / Fittings
3	Ejector	6	Stabilizer

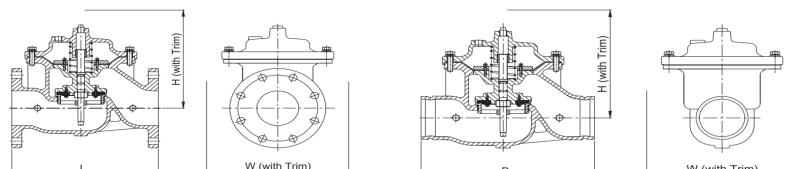
Model	End Configuration	Max. Rated Pressure (PSI)	Outlet Pressure setting (PSI)	Class
SD-PRV-200W	F x F F x G	200	65-165	125
SD-PRV-250W	F x F F x G	250	65-165	150
SD-PRV-300W	F x F F x G G x G	300	65-165	250

FxF=FlangedxFlanged / FxG=Flanged x Grooved / GxG=Grooved x Grooved

DIMENSION

Size	DN40	DN50	DN65	DN80	DN100	DN125	DN150	DN200	DN250	DN300
1	200	230	290	310	350	400	480	600	730	850
2	220	241	290	325	381	419	508	645	762	900
3	180	200	215	265	290	340	390	470	570	690
4	410	420	440	455	470	490	540	590	640	690

Units are in mm

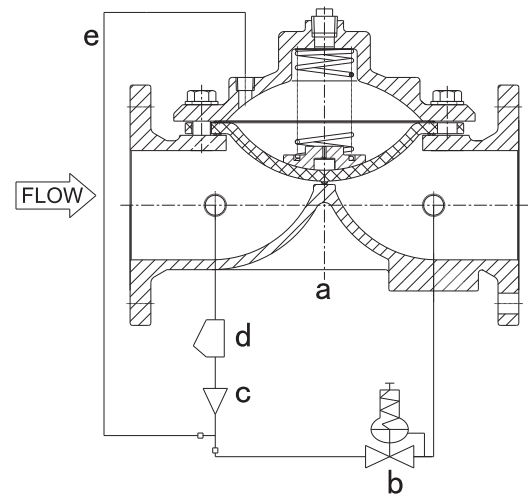
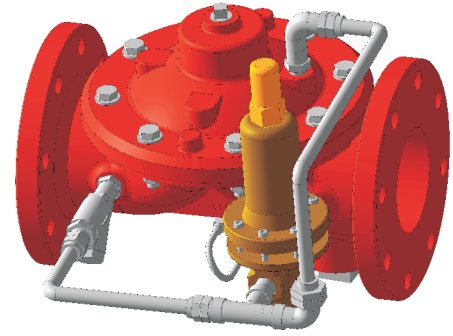


Note: 1.5" to 10" Valves are UL Listed

PRESSURE REDUCING VALVE

MODEL: SD-PRV-G300W

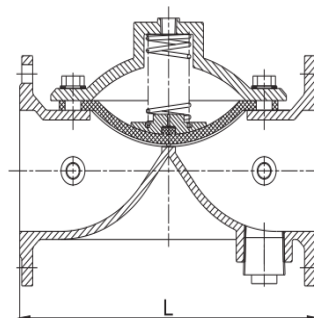
- End Connection: Flange x Flange
Flange x Groove
Grooved x Grooved
- Reducing a higher upstream pressure into a lower, constant downstream pressure.
- Operates over a wide flow range
- Set pressure is adjustable with single screw.
- Can be maintained without removal from the pipe line.
- Flanged ends to ANSI B16.1 Class 125 (Others are available upon request).
- Grooved ends to AWWA C606
- Working Pressure: 300 Psi
- Adjustment rage of outlet pressure: 65 to 165 Psi.
- Paint: Fusion bonded epoxy coated interior and exterior to AWWA C550 standard.



MATERIAL SPECIFICATION

No.	Part Name	Material
1	Body	Ductile Iron
2	Bonnet	Ductile Iron
3	Diaphragm	EPDM
4	Spring Retainer	Ductile Iron
5	Spring	SS304
6	Galvanized Bolt	Carbon Steel
7	Galvanized Washer	Carbon Steel

No.	Components	Material
a	Main Valve	
b	Pressure Reducing Pilot	Bronze
c	Restriction Orifice	SS304
d	Y-Strainer	SS304
e	Pipeline	SS304



DIMENSION

Size	DN50	DN65	DN80	DN100	DN125	DN150	DN200	DN250	DN300
L	233	290	310	356	370	436	530	636	835

Units are in mm